



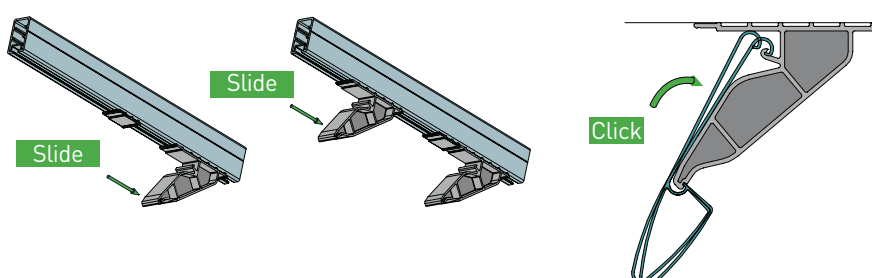
DucoSun 150 CF

DucoSun 150 CF is an architectural component system featuring **fixed solar shading blades**. The patented Duco **Slide and click system** enables quick and straightforward fitting of the solar shading blades to the support system at fixed blade angles.

150 CF Series solar shading blades combine the functional advantages of the 100 C Series basic blade with the appealing ellipsoid design of the DucoSun Ellips blade. The blades are extremely strong. That's why much larger spans can be covered with fewer support profiles.

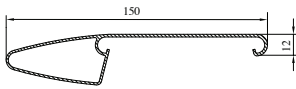
- Straightforward component system
- Solar shading blades featuring an appealing "ellipsoid" design.
- Quick to install using the patented slide and click system.
- The rigidity of the CF Series blades allows large spans.
- Large blade pitch (centre-to-centre distance between 2 blades).

→ Slide and click system



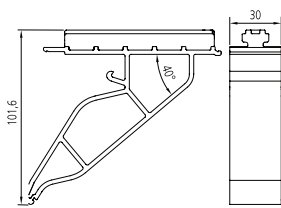
Basic components

→ Solar shading blades

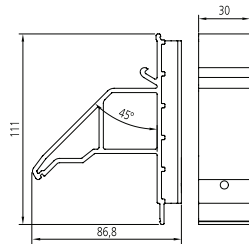


150 CF Series solar shading blade

→ Blade holders

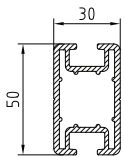


DucoSun C&D blade holder,
underslung

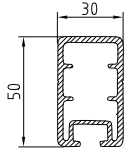


DucoSun C&D blade holder,
vertical/overslung

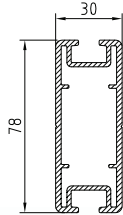
→ Support profiles



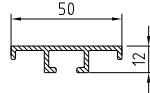
30/50 Series support
profile



30/50B Series support
profile

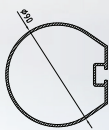


30/78 Series support
profile



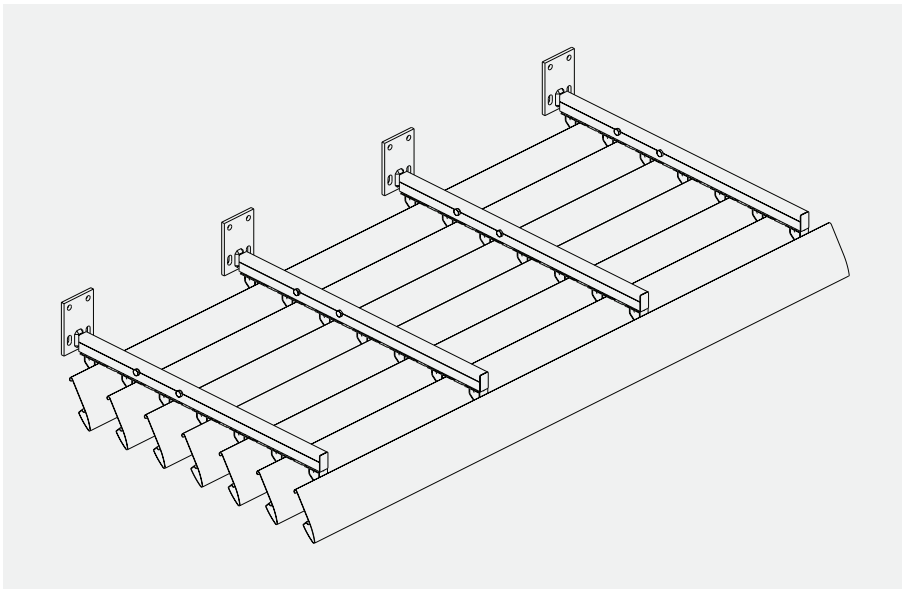
50/12 Series support
profile

→ Fascia profiles



90 Series fascia profile,
full bullnose



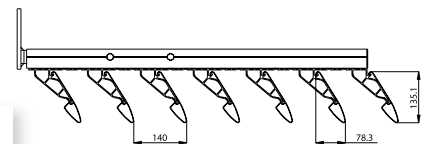


DucoSun 150 CF underslung

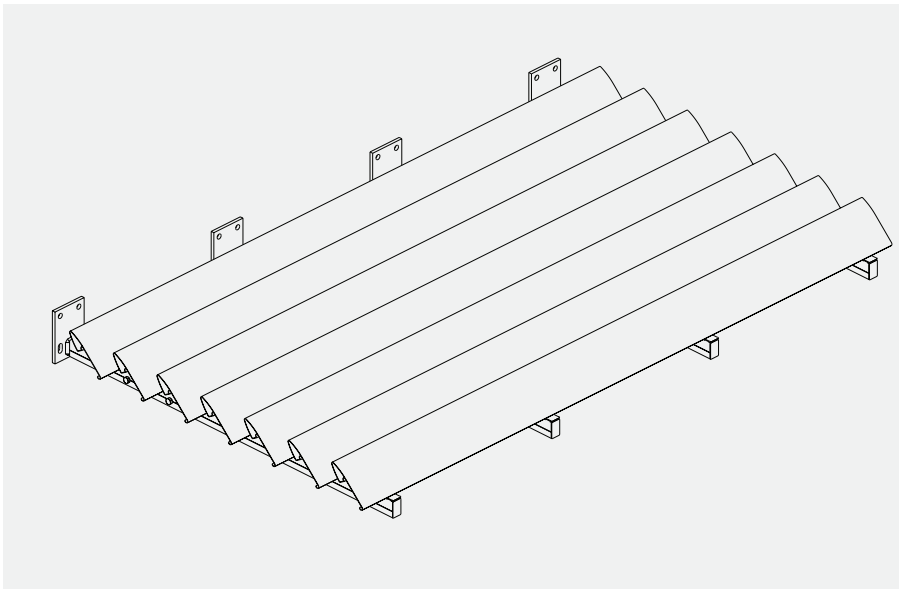
Permanent external solar shading system. 150 CF Series solar shading systems have their aluminium blades **below the support profiles** at a fixed 60 degree blade mounting angle. A fascia profile can be used to provide the finish. Overhang-dependent, the systems are fixed to the façade not just with bracketry, but also with struts.

→ DucoSun 150 CF underslung

Technical Specifications



- Blade:	150 CF
- Blade end plate	Plastic stop for 150 CF Series blades
- Blade holder:	underslung (single, connecting and corner holder)
- Blade pitch:	140 mm
- Blade mounting angle:	60°
- Maximum span:	2552 mm
- Blade holder spacer	For fitting blades pitched at 40 mm
- Finish:	On a 30/50, 30/50B or 30/78 Series support profile With plastic stop With fascia profile
- Installation:	For 30/50B or 30/78 Series support profiles For 30/50 Series support profiles



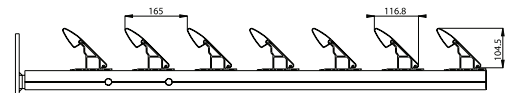
DucoSun 150 CF overslung

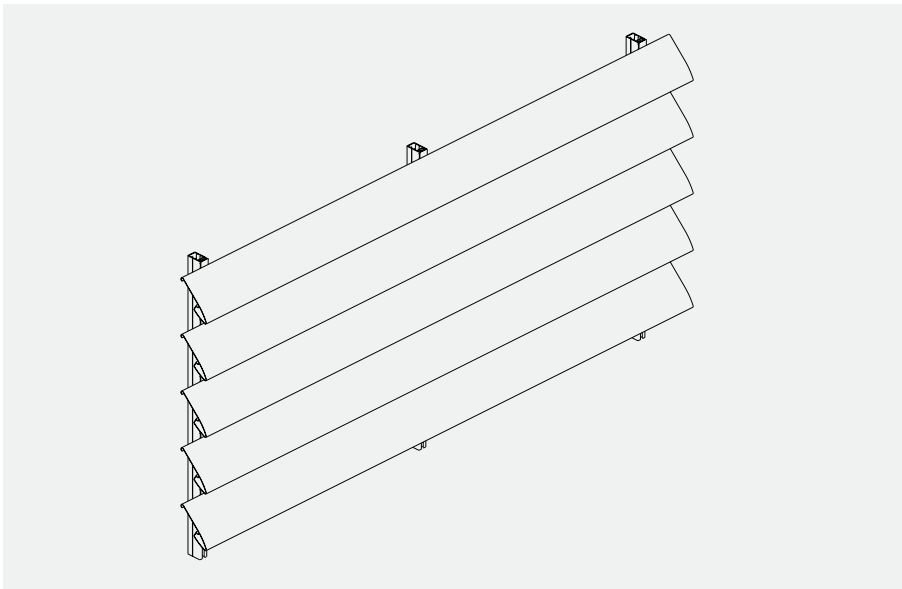
Permanent external solar shading system. 150 CF Series solar shading systems have their aluminium blades **above the support profiles** at a fixed 45 degree blade mounting angle. A fascia profile can be used to provide the finish. Overhang-dependent, the systems are fixed to the façade not just with bracketry, but also with struts.

Technical Specifications

- Blade:	150 CF
- Blade end plate:	Plastic stop for 150 CF Series blades
- Blade holder:	vertical/overslung (single, connecting and corner holder)
- Blade pitch:	165 mm
- Blade mounting angle:	45°
- Maximum span:	2552 mm
- Blade holder spacer	For fitting blades pitched at 140 mm
- Finish:	
With plastic stop	On a 30/50, 30/50B or 30/78 Series support profile
With fascia profile	90 Series, full bullnose
- Installation:	
With standard wall bracket	For 30/50B or 30/78 Series support profiles
With strut and wall anchor	For 30/50 Series support profiles

→ Ducosun 150 CF overslung





DucoSun 150 CF vertical

Permanent external solar shading system. 150 CF Series solar shading systems have their aluminium blades fitted against the support profiles at a fixed 45 degree blade mounting angle.

Technical Specifications

→ [DucoSun 150 CF vertical](#)

- Blade:	150 C
- Blade end plate:	Plastic stop for 150 CF Series blades
- Blade holder:	vertical/overslung (single, connecting and corner holder)
- Blade pitch:	190 mm
- Blade mounting angle:	45°
- Maximum span:	2552 mm
- Installation: With standard support profiles	30/50, 30/78 or 50/12

