

DucoSun Linear

DucoSun Linear is available with either **fixed** or **electrically adjustable** solar shading blades. They are installed to the support system on-site (either horizontally or vertically). The fixed solar shading blades are fitted at a **blade mounting angle of 45°**. Combined with the parallelogram shaped solar shading blade, a very beautiful effect is achieved. When fully closed, the electrically adjustable solar shading blades provide highly **effective sun protection**. The closed solar shading blades and the façade face are aligned and, therefore, form a perfect unit.

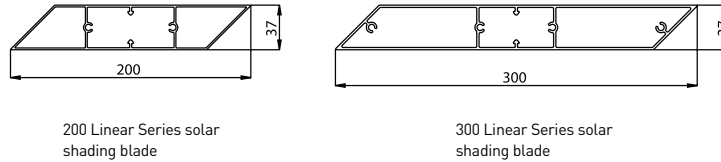
→ Very beautiful blade geometry (parallelogram).

→ The closed solar shading blades and the façade face are aligned and, therefore, form a perfect unit.

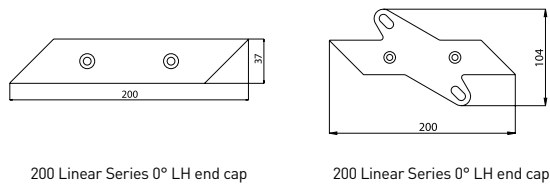
→ Full solar shading with blades closed.

Basic components

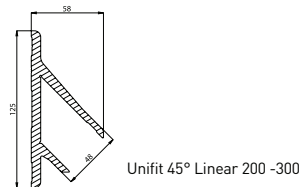
→ Solar shading blades



→ End caps



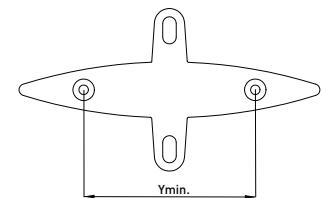
→ Blade holders



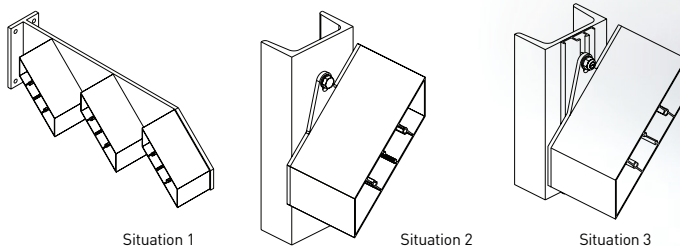
Maximum span

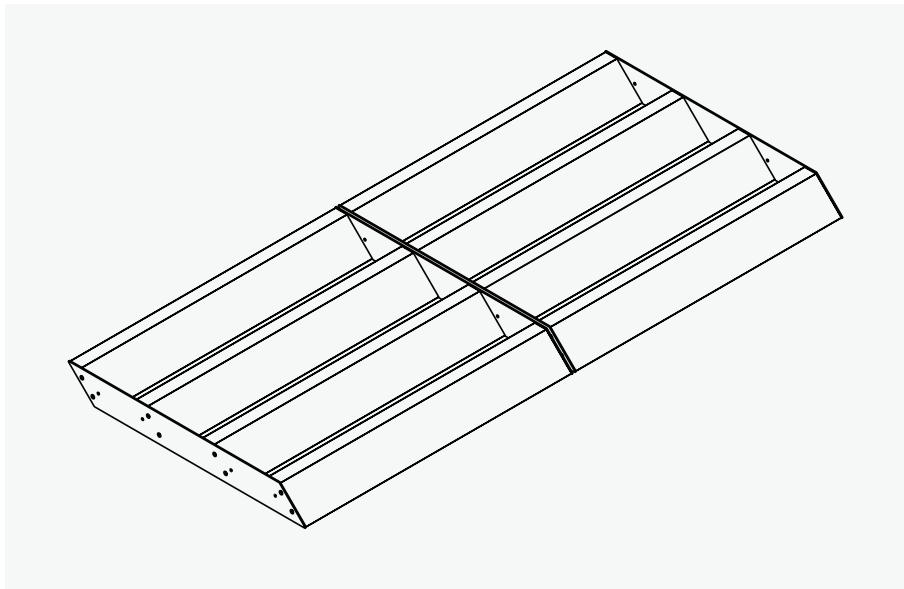
On the following pages you will find tabulated values along with the maximum recommended blade length for each type of solar shading system. These values apply provided following conditions are met :

- The solar shading blades should be fitted using:
 - Screws in between 2 non Duco assembly plates (situation 1) ;
 - Bolts and two end caps against a fixed structure or construction according to the instructions of Duco (situation 2);
 - Bolts, two end caps, T bolts and a Duco support profile against a fixed structure or construction according to the instructions of Duco (situation 3).
- The Ymin distances should be observed (situations 2 and 3).
- The maximum blade deviation should be 15 mm (compliant to European Directive ENV 1999-1).
This means that under no circumstances the maximum dimensions listed in the tables contained in this product brief must never be exceeded.



Other span options can be considered. Please feel free to contact Duco for assistance with calculating what you need for your specific project.

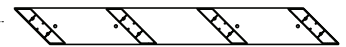




DucoSun Linear intermediate

Permanent external solar shading system. The aluminium solar shading blades are held in place at a **fixed blade mounting angle of 0° or 45°** between end caps. The amount of clearance between two solar shading blades (blade pitch) depends on blade type.

→ DucoSun Linear intermediate



Situation 1: Fitting a blade between two non Duco bespoke assembly plates (Please see www.duco.eu for full details of maximum sizes.)

Situation 2: Fitting a blade between two Duco end caps between a fixed structure

Situation 3: Fitting a blade between two Duco end caps and support profile between a fixed structure

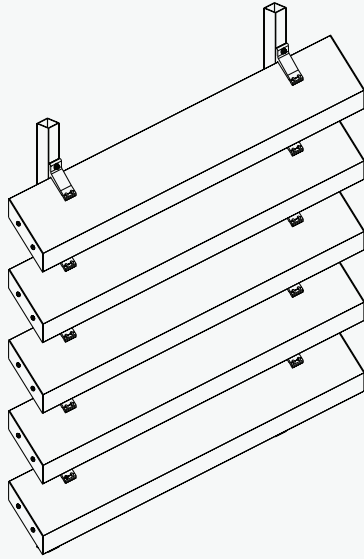
Maximum span

Linear Series solar shading	Blade mounting angle	Ymin. distance (mm) (C-C of fixings)	With a wind load of:					
			600 Pa (±115km/h)		800 Pa (±130km/h)		1250 Pa (±165km/h)	
200	0°	70	4100	4200	4100	3800	4100	3100
	45°	80	4100	4100	4100	4000	4100	3300
300	0°	80	4500	3700	4500	3200	3700	2600
	45°	130	4500	4500	4500	4100	4300	3400

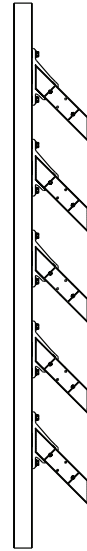
Important: The above values are applicable if all conditions set out on page 43 are satisfied. If any one of these conditions fails, strength calculation as dictated by the specific project situation will need to be performed again. Contact Duco for further assistance.

Technical Specifications

- Linear Series solar shading:	200, 300, 400
- Blade pitch:	Dependent on the type of solar shading blade
- Blade mounting angle:	45°



→ DucoSun Linear unifit



DucoSun Linear unifit

Permanent external solar shading system. The aluminium solar shading blades are fitted to aluminium support profiles at a fixed 45 degree blade mounting angle using Unifit clamp fixing brackets. The amount of clearance between two solar shading blades (blade pitch) depends on blade type.

Situation 1: Fitting a blade between two non Duco bespoke assembly plates (Please see www.duco.eu for full details of maximum sizes.)
 Situation 2: Fitting a blade between two Duco end caps between a fixed structure
 Situation 3: Fitting a blade between two Duco end caps and support profile between a fixed structure

Maximum span

Linear Series solar shading	Unifit :		With a wind load of:		
	Clamp fixing bracket(°)	width (mm)	600 Pa (±115km/h)	800 Pa (±130km/h)	1250 Pa (±165km/h)
200	45°	40	3400	3400	3400
300	45°	40	3900	3900	2700

Important: The above values are applicable if all conditions set out on page 43 are satisfied. If any one of these conditions fails, strength calculation as dictated by the specific project situation will need to be performed again. Contact Duco for further assistance.

Technical Specifications

- Linear Series solar shading	200, 300
- Blade pitch:	Dependent on the type of solar shading blade
- Blade mounting angle:	45°
- Unifit Series base (width):	40mm